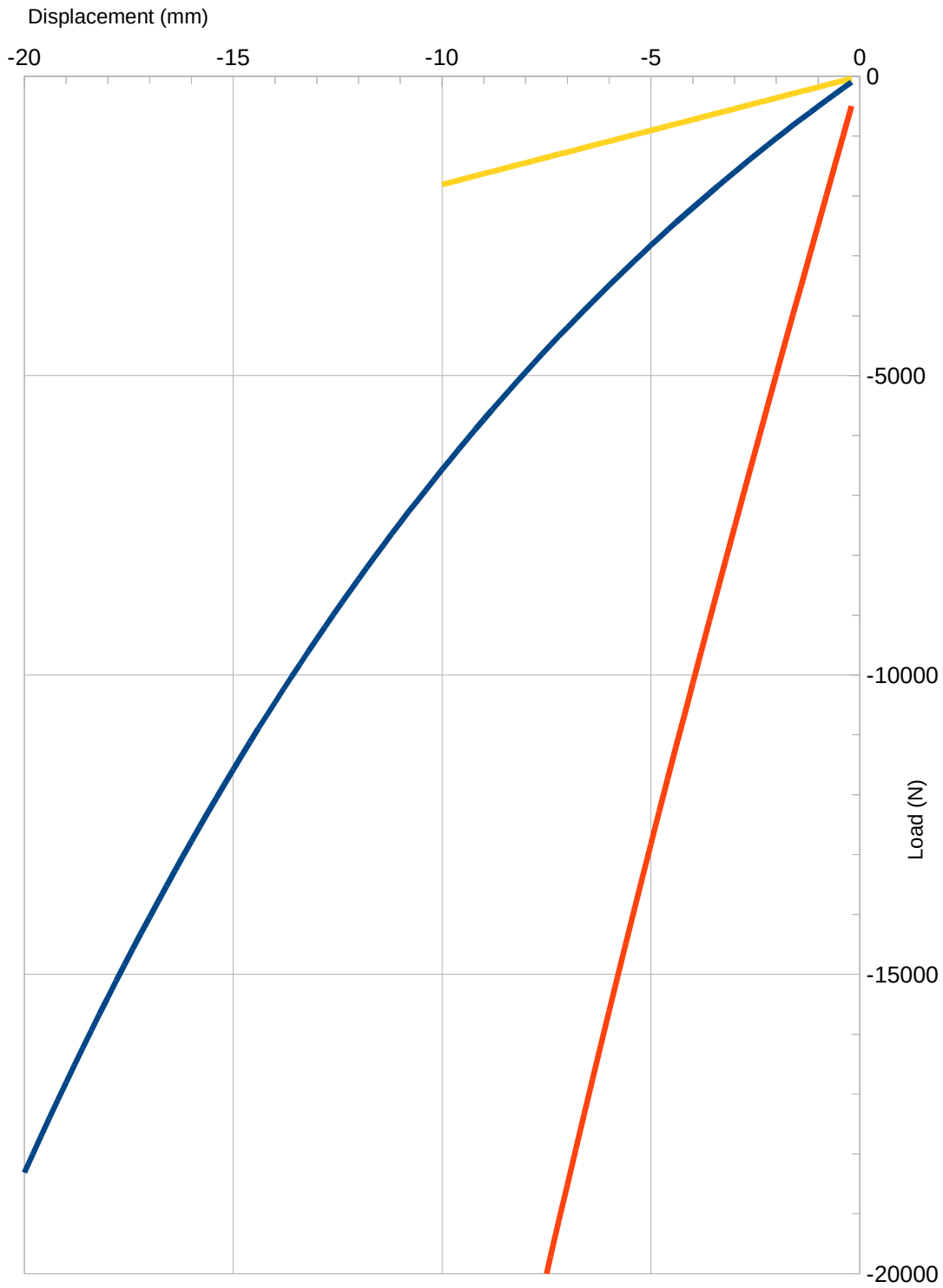
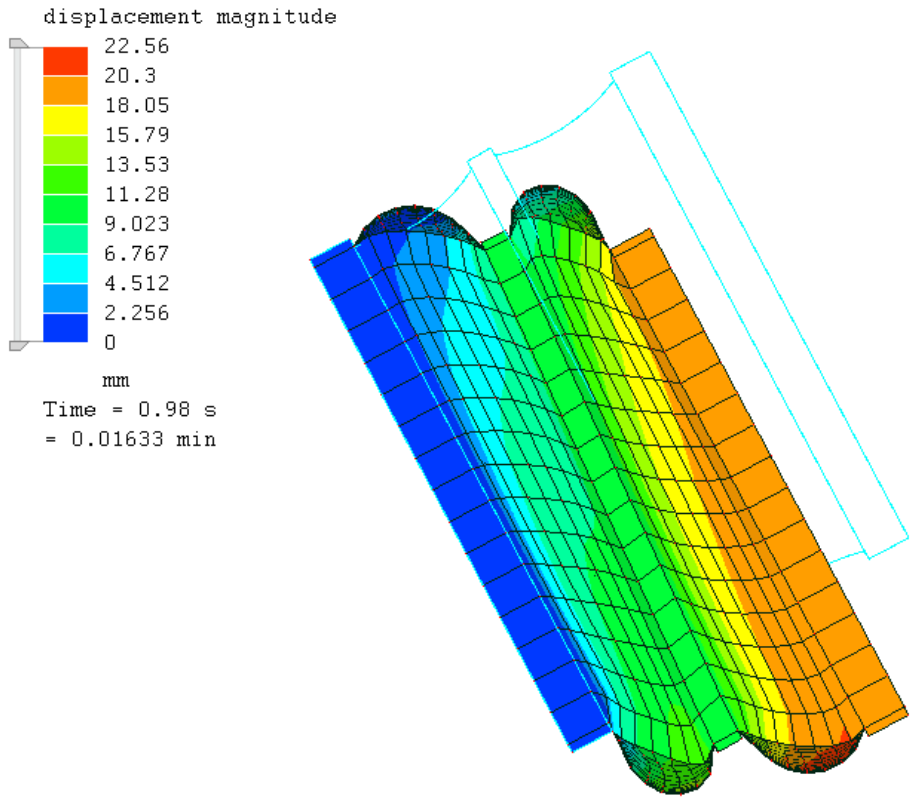


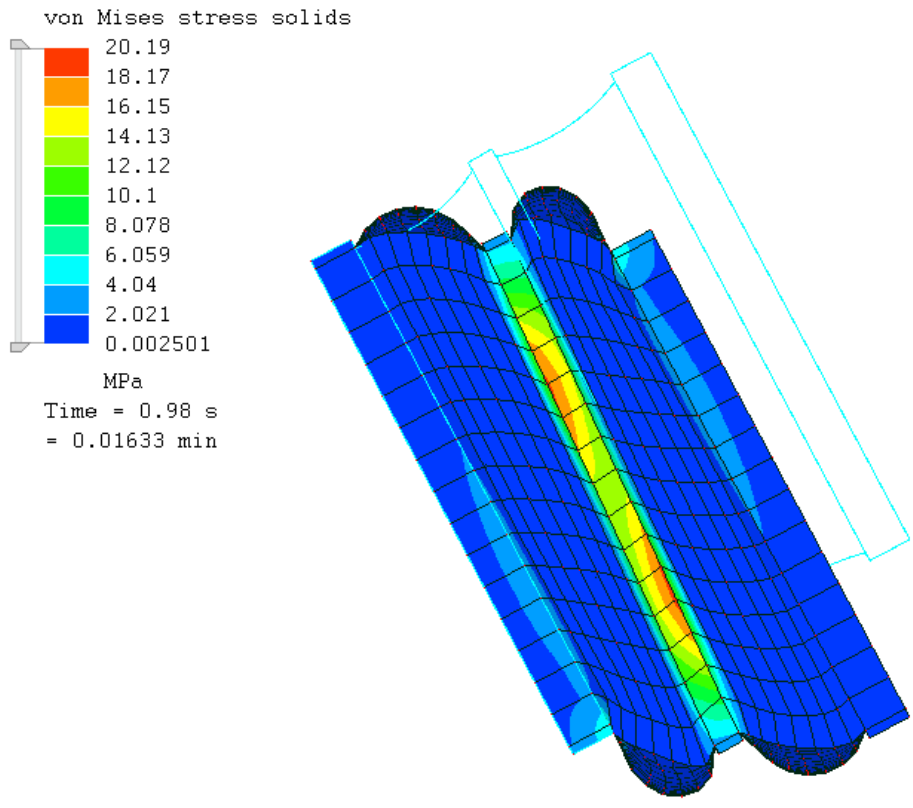
Issolator assembly / Load Deflection Curves



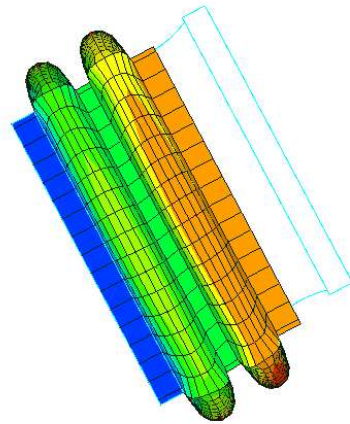
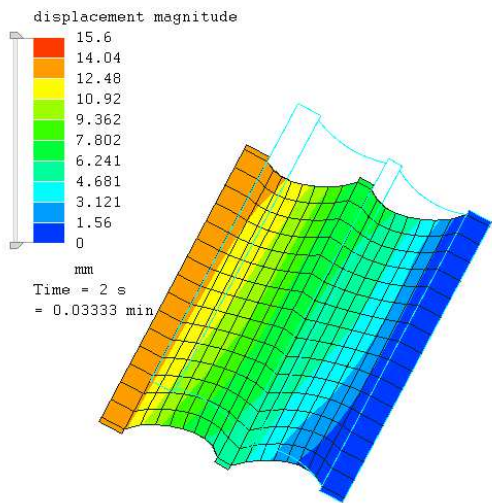
- Compression (-z) Stiffness 942 N/mm
- Lateral (-x) Stiffness 2484 N/mm
- Shear (-y) Stiffness 181 N/mm



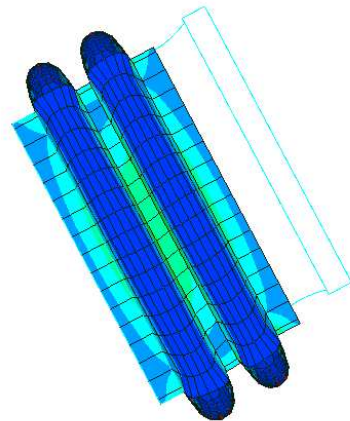
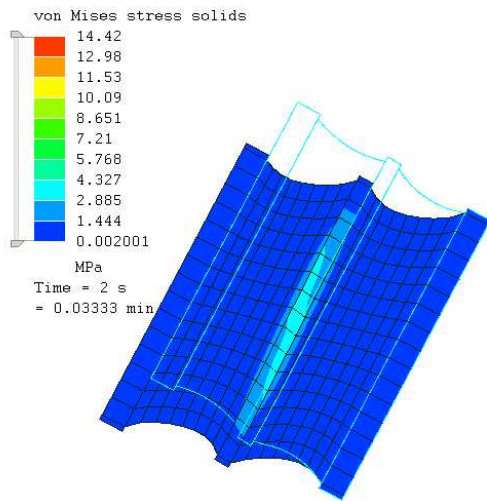
Deformation scale factor 1



Deformation scale factor 1



Deformation scale factor 1



Deformation scale factor 1

